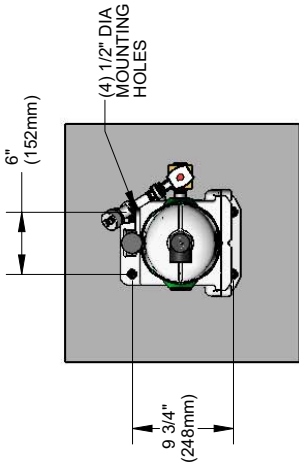


TORREXX ECONOMY VALVE 1" FNPT OUTLET

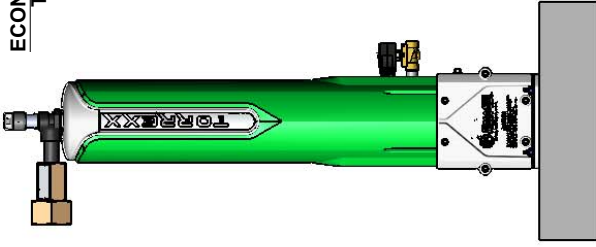


6" (152mm)

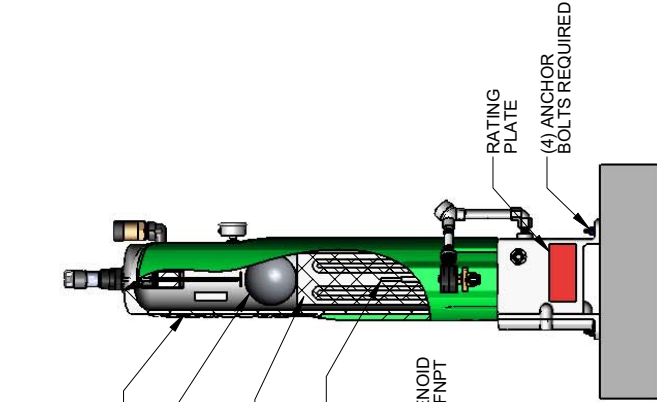
(4) 1/2" DIA MOUNTING HOLES

9 3/4" (248mm)

ECONOMY OPTION TOP VIEW



ECONOMY OPTION FRONT VIEW



Liqui-SAFE VALVE

ALUMINUM BODY

FLOAT

HEATING ELEMENT CORE

TEMPERATURE CONTROL SENSOR

INSULATION JACKET

INLET SOLENOID VALVE 3/4" FNPT

CONTROL HOUSING COVER

10 GA WIRE MESH OR DEFORMED REBAR

RATING PLATE

(4) ANCHOR BOLTS REQUIRED

1" FNPT VAPOR OUTLET

TX25, 50 & 100 41" (1040mm)
TX160 47" (1190mm)
TX240 52" (1320mm)
TX320 59" (1500mm)

1 OR 3 PHASE ELECTRICAL SERVICE REQD (1" FNPT)

6.50

12 1/4" ± 1/8" (311mm)

9 1/8" (232mm)

CONCRETE PAD 24" X 24" X 4" THK (610mm X 610mm X 101mm THK)

PRESSURE RELIEF VALVE

TX25, 50, & 100 39 3/4" (1010mm)
TX160 51 3/4" (1313mm)
TX240 56 3/4" (1441mm)
TX320 63 3/4" (1619mm)

11 1/4" (286mm)

NOTES:

- ENCLOSURE NEMA 4 CONFORMS TO CLASS I DIVISION 1 GROUP D LOCATIONS
- CONFORMS TO CLASS I DIVISION 1 GROUP D LOCATIONS
- FM AND FMC APPROVED
- PRESSURE VESSEL RATED AT 250 PSIG
- SUITABLE FOR INDOOR/OUTDOOR INSTALLATION
- RELIEF VALVE SETTINGS 250 PSIG
- AVOID DRY RUBBING OF THE INSULATION JACKET TO AVOID ELECTRO STATIC CHARGING HAZARD. ALWAYS USE A DAMP CLOTH FOR CLEANING.

Drawn By: P. LEUNG Date: 10-20-06

Checked By: Scale: NONE

Approved By: 200910.08 Job No.: A.S.D.I. STD.

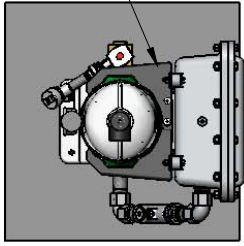
Part Number: 181223-0700

N/A



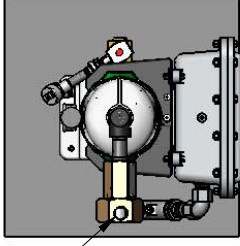
Title: TORREXX SERIES ELECTRIC VAPORIZER LPG

Size: B Dwg. No.: 5001-6001 Sht. No.: 1 of 2 Rev.:



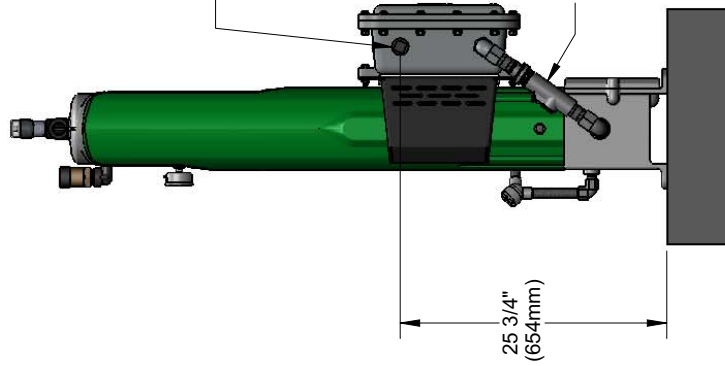
CONTROL BOX MOUNTING CLAMP

MERCURY RELAY OPTION TOP VIEW



TORREXX ECONOMY VALVE 1" FNPT OUTLET

MERCURY RELAY AND ECONOMY OPTIONS TOP VIEW



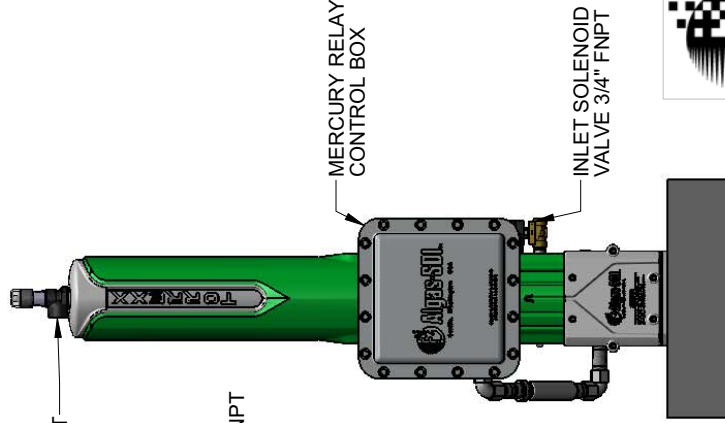
1" FNPT VAPOR OUTLET

3 PHASE ELECTRICAL SERVICE REQUIRED 1 1/4" FNPT (THREAD PROTECTOR INSTALLED FOR SHIPPING)

FACTORY INSTALLED CONDUIT WITH SEAL OFF

25 3/4" (654mm)

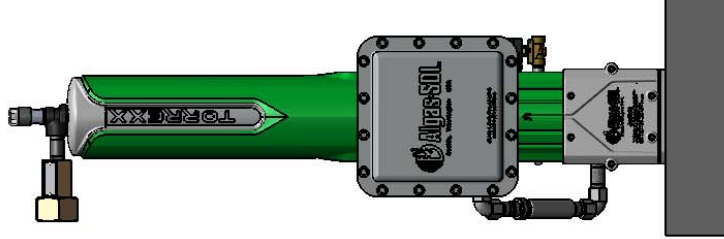
MERCURY RELAY OPTION SIDE VIEW



MERCURY RELAY CONTROL BOX

INLET SOLENOID VALVE 3/4" FNPT

MERCURY RELAY OPTION FRONT VIEW



MERCURY RELAY AND ECONOMY OPTIONS FRONT VIEW



Drawn By: P. LEUNG
 Checked By:
 Approved By:
 Part Number:

Date: 10-20-06

Scale: NONE

Job No.: A.S.D.I. STD.

N/A

Title:

TORREXX SERIES ELECTRICAL VAPORIZER LPG

Size: B

Dwg. No.: 5001-6001

Shr. No.: 2 of 2

Rev.:



Offered By:

Power Equipment Company
2011 Williamsburg Road
Richmond, Virginia 23231

T: 804-236-3800

F: 804-236-3882

www.peconet.com

sales@peconet.com